

JVC

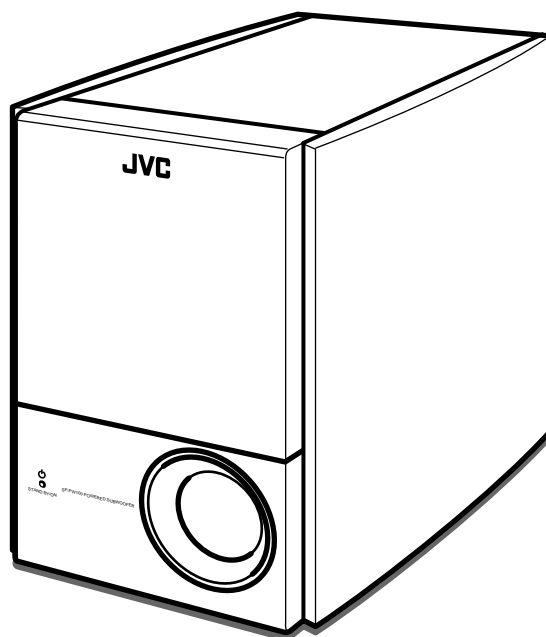
SERVICE MANUAL

POWERED SUBWOOFER

SP-PW100

Area Suffix

UJ U.S.Military
 US Singapore



Contents

Safety precautions	1- 2
Disassembly method	1- 3
Description of major ICs	1- 7~8

Safety Precautions

1. This design of this product contains special hardware and many circuits and components specially for safety purposes. For continued protection, no changes should be made to the original design unless authorized in writing by the manufacturer. Replacement parts must be identical to those used in the original circuits. Services should be performed by qualified personnel only.
2. Alterations of the design or circuitry of the product should not be made. Any design alterations of the product should not be made. Any design alterations or additions will void the manufacturer's warranty and will further relieve the manufacture of responsibility for personal injury or property damage resulting therefrom.
3. Many electrical and mechanical parts in the products have special safety-related characteristics. These characteristics are often not evident from visual inspection nor can the protection afforded by them necessarily be obtained by using replacement components rated for higher voltage, wattage, etc. Replacement parts which have these special safety characteristics are identified in the Parts List of Service Manual. Electrical components having such features are identified by shading on the schematics and by (\triangle) on the Parts List in the Service Manual. The use of a substitute replacement which does not have the same safety characteristics as the recommended replacement parts shown in the Parts List of Service Manual may create shock, fire, or other hazards.
4. The leads in the products are routed and dressed with ties, clamps, tubings, barriers and the like to be separated from live parts, high temperature parts, moving parts and/or sharp edges for the prevention of electric shock and fire hazard. When service is required, the original lead routing and dress should be observed, and it should be confirmed that they have been returned to normal, after re-assembling.

5. Leakage current check (Electrical shock hazard testing)

After re-assembling the product, always perform an isolation check on the exposed metal parts of the product (antenna terminals, knobs, metal cabinet, screw heads, headphone jack, control shafts, etc.) to be sure the product is safe to operate without danger of electrical shock.

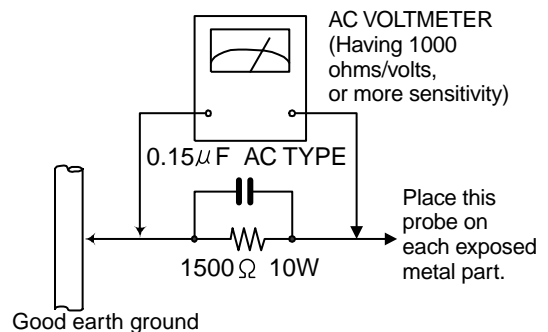
Do not use a line isolation transformer during this check.

- Plug the AC line cord directly into the AC outlet. Using a "Leakage Current Tester", measure the leakage current from each exposed metal parts of the cabinet, particularly any exposed metal part having a return path to the chassis, to a known good earth ground. Any leakage current must not exceed 0.5mA AC (r.m.s.).

- Alternate check method

Plug the AC line cord directly into the AC outlet. Use an AC voltmeter having, 1,000 ohms per volt or more sensitivity in the following manner. Connect a 1,500 Ω 10W resistor paralleled by a 0.15 μ F AC-type capacitor between an exposed metal part and a known good earth ground. Measure the AC voltage across the resistor with the AC voltmeter.

Move the resistor connection to each exposed metal part, particularly any exposed metal part having a return path to the chassis, and measure the AC voltage across the resistor. Now, reverse the plug in the AC outlet and repeat each measurement. Voltage measured any must not exceed 0.75 V AC (r.m.s.). This corresponds to 0.5 mA AC (r.m.s.).



Warning

1. This equipment has been designed and manufactured to meet international safety standards.
2. It is the legal responsibility of the repairer to ensure that these safety standards are maintained.
3. Repairs must be made in accordance with the relevant safety standards.
4. It is essential that safety critical components are replaced by approved parts.
5. If mains voltage selector is provided, check setting for local voltage.

CAUTION

Burrs formed during molding may be left over on some parts of the chassis. Therefore, pay attention to such burrs in the case of preforming repair of this system.

In regard with component parts appearing on the silk-screen printed side (parts side) of the PWB diagrams, the parts that are printed over with black such as the resistor (\blacksquare), diode (\blacksquare) and ICP (\bullet) or identified by the " \triangle " mark nearby are critical for safety.

When replacing them, be sure to use the parts of the same type and rating as specified by the manufacturer. (Except the J and C version)

Disassembly method

<Main body>

■ Removing the front net (See Fig.1 and 2)

1. Remove the front net from the four holders that are fixing the front net.

Note: When it is hard to remove the front net, insert a minus driver, etc. in the place between the main body and the front net as shown in Fig.2 before removing the front net. Exercise care not to damage the main body and the front net when inserting the minus driver. For this purpose, insert the minus driver together with cloth and the like.

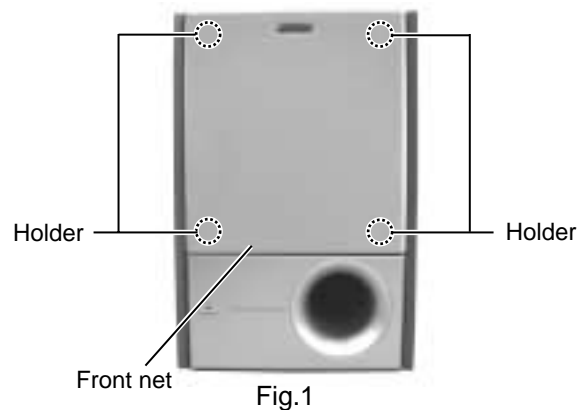


Fig.1

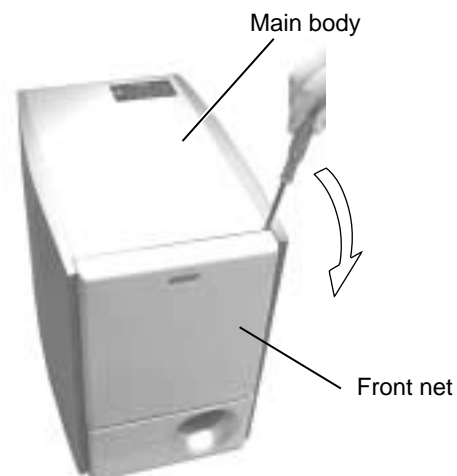


Fig.2

■ Removing the woofer (See Fig.3 and 4)

- Prior to performing the following procedure, remove the front net.

1. Remove the six screws **A** attaching the woofer.
2. Pull out the woofer toward you.
3. Remove the speaker cord.

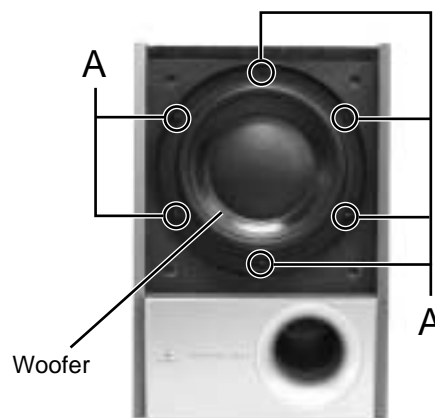


Fig.3

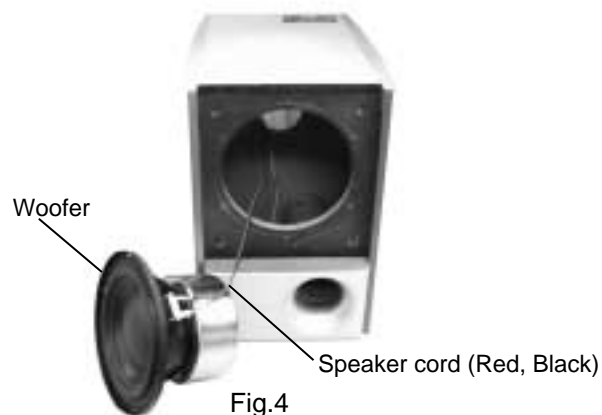


Fig.4

■ Removing the front panel (See Fig.5)

1. Place the bottom of the front panel upward.
2. While inserting a minus driver, etc. in the two grooves, remove the four holders that are fixing the front panel.

Note: Exercise care not to damage the main body and the front net when inserting the minus driver. For this purpose, insert the minus driver together with cloth and the like.

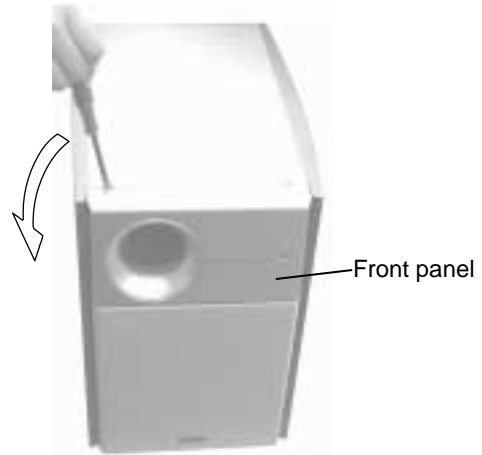


Fig.5

■ Removing the LED board (See Fig.6)

- Prior to performing the following procedure, remove the front panel.

1. Remove the two screws **B** attaching the LED board.

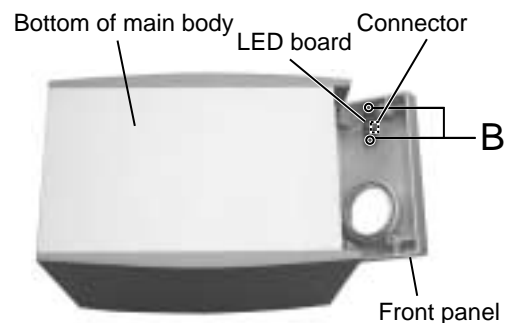


Fig.6

■ Removing the amplifier box (See Fig.7 and 8)

1. Remove the eleven screws **C** attaching the amplifier box on the back side of the main body
2. Remove the speaker cord connector connecting the amplifier box and the speaker.

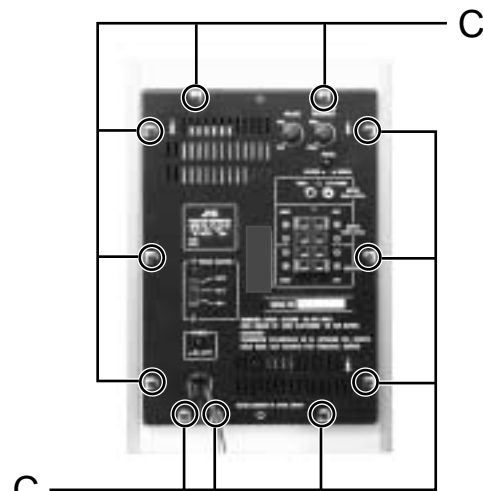


Fig.7

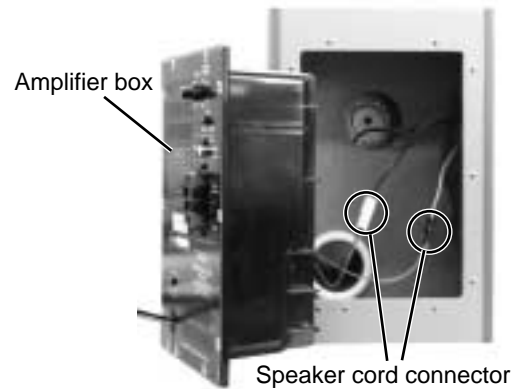


Fig.8

<Amplifier box>

■ Removing the rear panel (See Fig.9)

1. Pull out the volume knob and the crossover frequency knob.
2. Remove the three screws **D** attaching the input jack and speaker terminal.
3. Remove the two screws **D'** attaching the voltage selector, and then remove the rear panel.

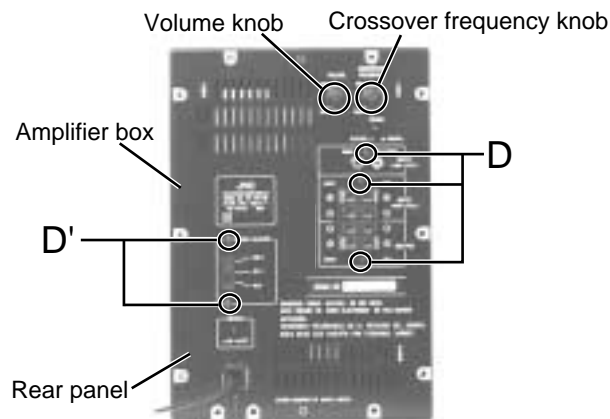


Fig.9

■ Removing the power switch board (See Fig.10)

- Prior to performing the following procedure, remove the rear panel.
1. Pull out the power switch knob.
 2. Remove the three screws **E** and the two screws **F** attaching the bracket **a**.
 3. Pull out the power cord clamp from the bracket **a**.
 4. Pull out the power switch board backward.
 5. Remove the connector CN899.

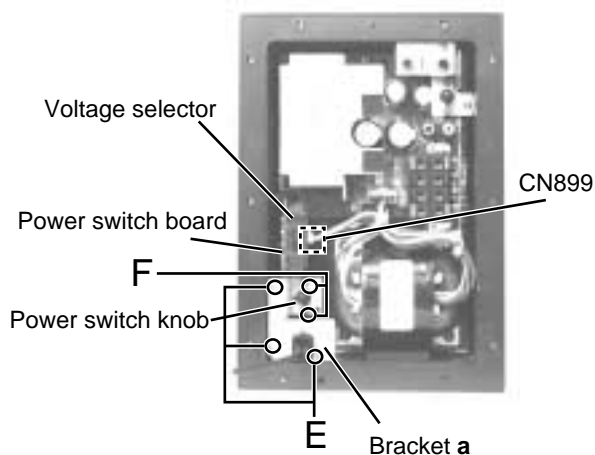


Fig.10

Note: Cut off the tie-band, if necessary.

■ Removing the terminal board (See Fig.11 and 12)

- Prior to performing the following procedure, remove the rear panel.
1. Pull out the phase knob.
 2. Remove the two nuts attaching the volume knob.
 3. Remove the two screws **G** and the two screws **H** attaching the bracket **b**.
 4. After removing the connector CN811, pull out the terminal board.
 5. Remove the connector CN851.

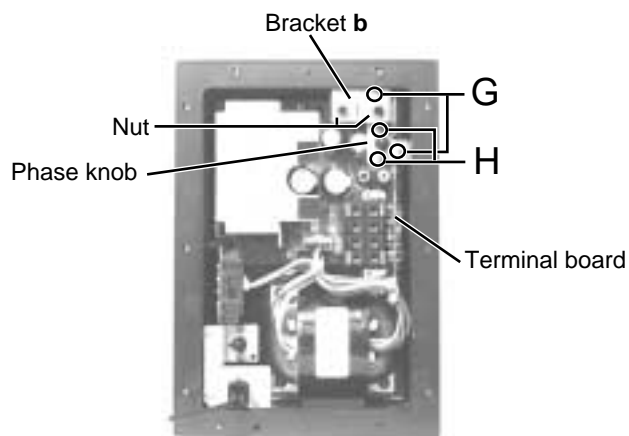


Fig.11

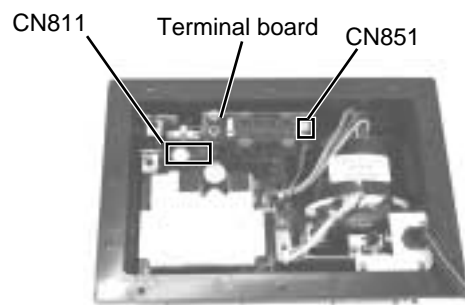


Fig.12

■ Removing the amplifier board

(See Fig.13)

• Prior to performing the following procedure, remove the rear panel, the terminal board.

1. Remove the connectors CN881 and CN891
2. Remove the six screws I attaching the amplifier board.

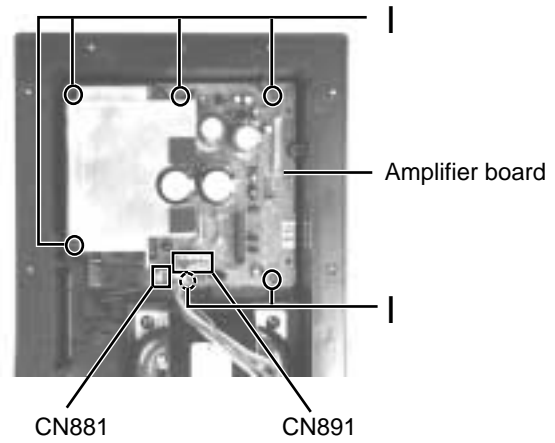


Fig.13

■ Removing the transformer (See Fig.14)

• Prior to performing the following procedure, remove the rear panel, the power supply board, the amplifier board.

1. Remove the four screws J attaching the transformer.

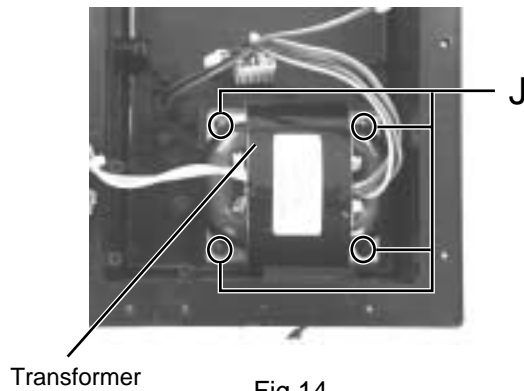
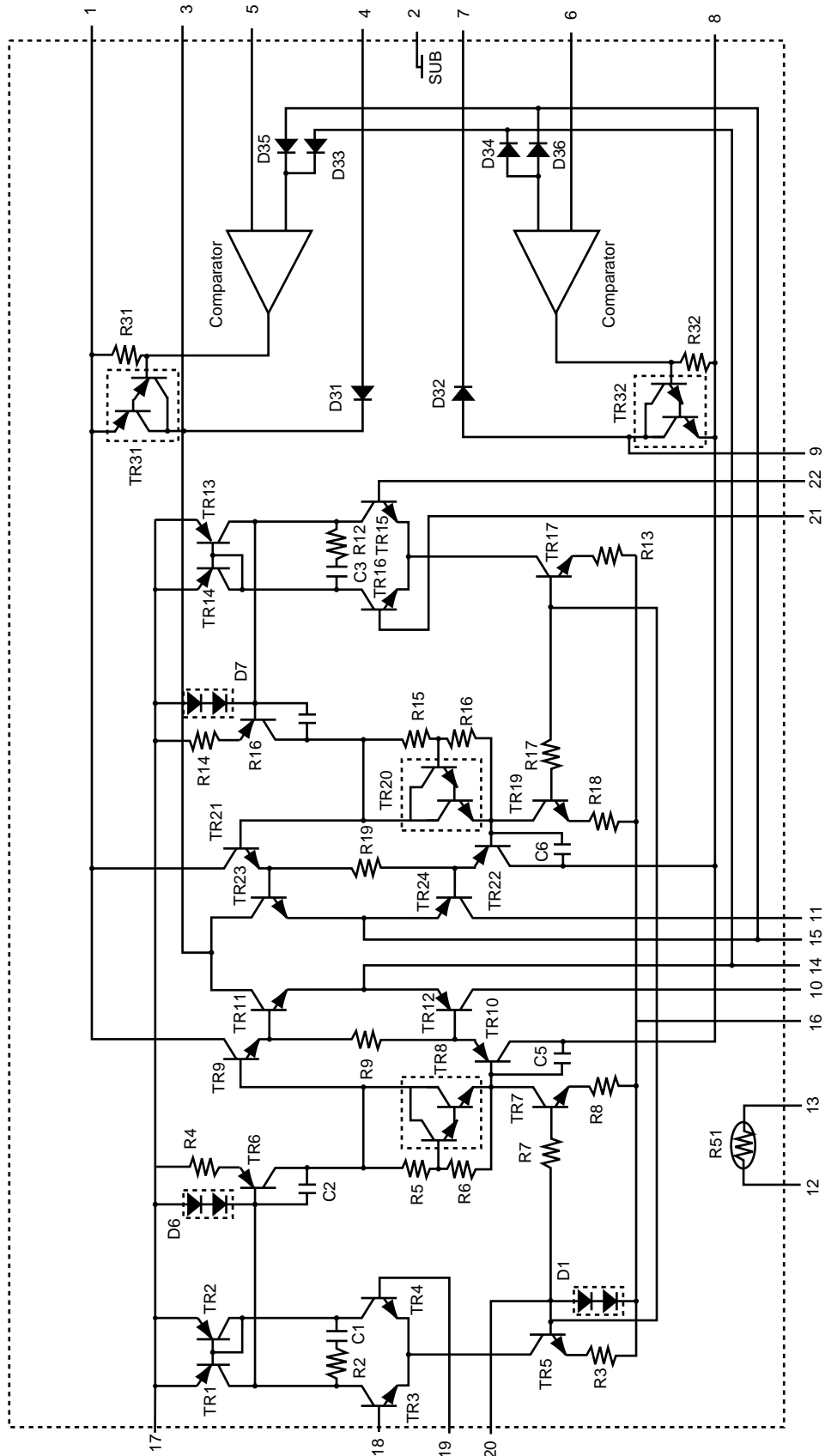


Fig.14

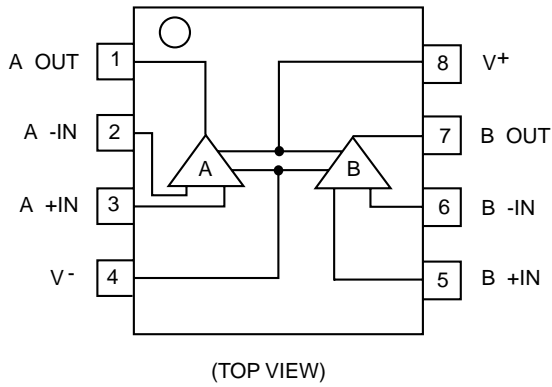
Description of major ICs

■ STK411-290E(IC821) : Front power amp.

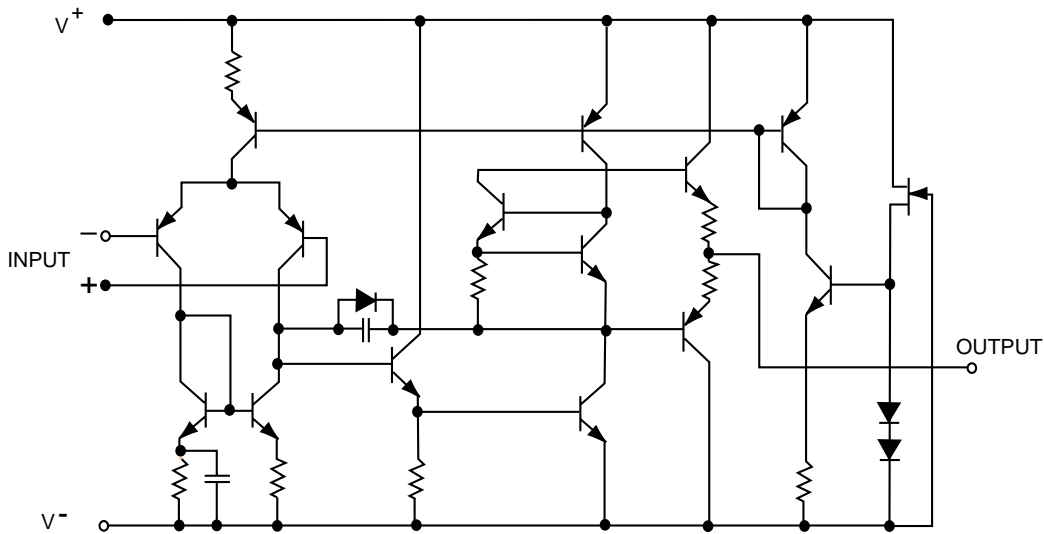


■ **NJM4580D(IC811, IC812, IC813) : Op amp.**

1. Pin layout

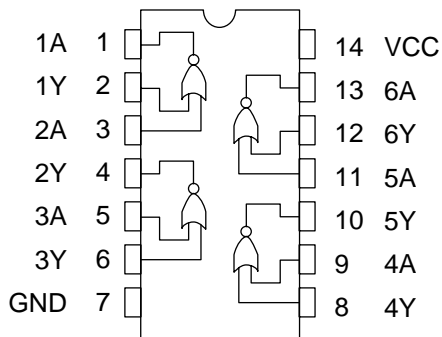


2. Block diagram



■ **TC74HCU04AP(IC851) : 2ch NOR gate**

1. Pin layout & block diagram



2. True table

A	Y
L	H
H	L

< M E M O >



VICTOR COMPANY OF JAPAN, LIMITED

AUDIO & COMMUNICATION BUSINESS DIVISION

PERSONAL & MOBILE NETWORK BUSINESS UNIT. 10-1, 1chome, Ohwatari-machi, Maebashi-city, 371-8543, Japan